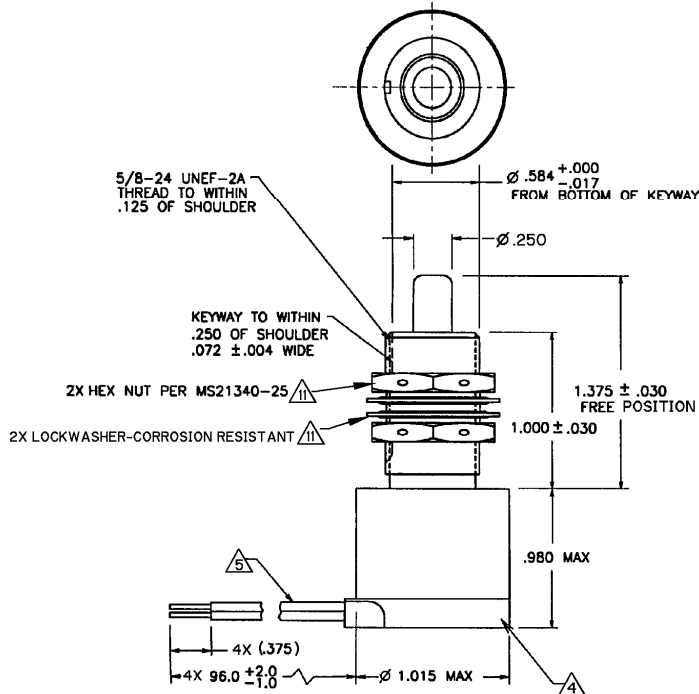
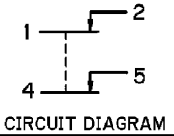


MICRO SWITCH
a Honeywell Division
FED. WFO. CODE 81929

SWITCH-ENCLOSED

CATALOG LISTING
ML-1369
CUSTOMER PART NO
53 ND-78304-1



ANSI Y14.5M-1982 APPLIES

- NOTES
- 1 - COINCIDENCE OF OPERATING AND RELEASING POINTS: .010 OF PLUNGER TRAVEL
 - 2 - CORROSION RESISTANT STEEL ENCLOSURE AND PLUNGER
 - 3 - SWITCH SEALED PER MIL-PRF-8805 SYMBOL 4
 - 4 - PLASTIC MATERIALS SHALL CONFORM TO MIL-14 OR, IL-M-24519
 - 5 - 4X NO. 20 WIRE LEAD MIL-W-22759/16, MARKED WITH CIRCUIT IDENTIFICATION AND WIRE GAGE (1-20, 2-20, ETC.) PER MIL-W-5088
 - 6 - TEMPERATURE LIMITS: -65° TO 275° F
 - 7 - HIGH ACCELERATION APPLICATION: 15G SINUSOIDAL MIN
 - 8 - IMPACT RESISTANCE: 50G MIN
 - 9 - MECHANICAL AND ELECTRICAL ENDURANCE: 25,000 CYCLES MIN
 - 10 - SWITCH WEIGHT WITHOUT LEAD WIRES: 3.6 OZ MAX
- ⚠️ HARDWARE MAY BE PACKAGED UNASSEMBLED PER MIL-PRF-8805

THIS DRAWING COVERS A PROPRIETARY ITEM AND IS THE PROPERTY OF MICRO SWITCH, A DIVISION OF HONEYWELL. THIS DRAWING IS NOT TO BE COPIED OR USED WITHOUT THE APPROVAL OF MICRO SWITCH.		THIRD ANGLE PROJECTION
CHARACTERISTICS	ELECTRICAL DATA	SCALE FULL
OPERATING FORCE ----- 6-12 LBS	CONTACT ARRANGEMENT	DO NOT SCALE PRINT
FULL OVERTRAVEL FORCE ----- 30 LBS MAX	2X 3 P N C	UNLESS OTHERWISE SPECIFIED TOLERANCES ARE
RELEASE FORCE ----- 4 LBS MIN	28 VDC	
PRETRAVEL ----- .040 MAX	LOAD	ONE PLACE 1.01 ± .030
DIFFERENTIAL TRAVEL ----- .020 MAX	SEA LEVEL	TWO PLACE 1.001 ± .015
OVERTRAVEL ----- .250 MIN	RES 7	THREE PLACE 1.0001 ± .005
	IND 4	ANGLES ± 4°
	MOTOR 4	WEIGHT

CATALOG LISTING
ML-1369
 PAGE 1 OF 1
 ISSUE 3
 REVISIONS
 A 19052
 C 11
 22 FEB 00
 B 20640
 YSM
 10 DEC 02
 CHECK
 PR-24171
 RELEASE NO.
 CHECK
 17 AUG 99
 CHECK
 J A F
 DRAWN
 G J W
 17 AUG 99
 FORMTEK